



LDXC Series

Compact 6 and 12 Volts Steel Battery Unit

Project/Location: _____

Contractor: _____

Date: _____

Prepared by: _____

Features

- Compact steel cabinet with corrosion-resistant undercoating
- Fully automatic solid-state charger with test switch and AC-on pilot light
- Quick and easy installation – pre-assembled cordset, no batteries or board to remove before installation
- Universal Spider knockout pattern for junction box mounting
- Sealed dust-proof transfer relay circuit and low-voltage disconnect
- Long-life, maintenance-free sealed lead battery
- NEXUS® compatible



Typical Specification

The contractor shall install the Ready-Lite **LDXC Series** battery units. The emergency lighting system shall consist of fully automatic equipment with two emergency lighting heads.

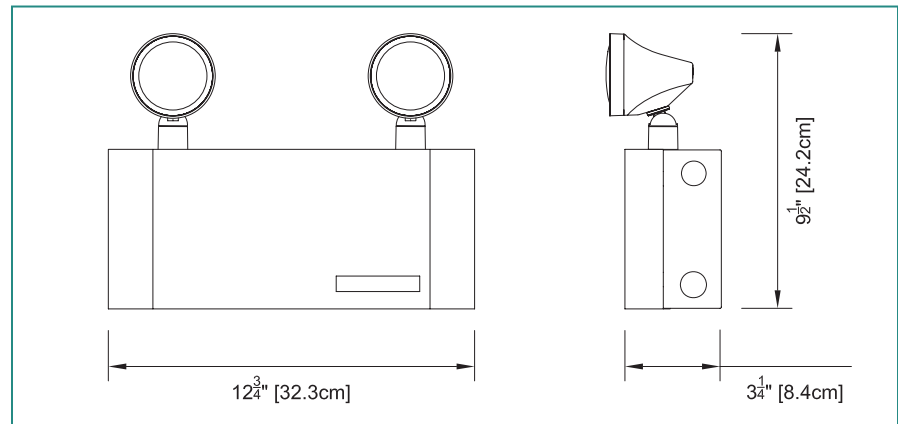
The charger shall be factory set with a charging voltage tolerance of $\pm 1\%$ to enable a longer battery life. The emergency light heads shall require no tools for adjusting or aiming. The metal cabinet shall be made of steel with anti-corrosion undercoating.

The unit equipped with the self-diagnostic micro-controller board shall self-test 1 minute every 30 days, 10 minutes the 6th month and 30 minutes every 12 months. The unit shall be supplied with a test switch and diagnostic LED indicator lights to continuously monitor the status of the unit: Battery Failure, Battery Disconnect, Charger Failure, Lamp Failure, Service Alarm, main voltage AC "ON", Charger High Rate.

The unit shall be CSA Certified to C22.2 no.141.

The unit shall be Ready-Lite model: _____.

Dimensions



Wire Guards

| | |
|-------------|------------|
| 460.0080-RL | Wall Mount |
|-------------|------------|

Replacement Lamps

| Ordering Code | Type | Voltage-Wattage |
|---------------|----------------------|-----------------|
| 570.0012-RL | Mini tungsten (MT9W) | 6V - 9W |
| 570.0025-RL | Mini tungsten (MT9W) | 12V - 9W |

For the complete list please refer to the Lamp Chart on page 113

Power Consumption and Unit Rating

| Model Number | AC Specs | Emergency power available for lamps | | | | | |
|--------------|--------------|-------------------------------------|------|------|------|------|----|
| | | 30min | 1h00 | 1h30 | 2h00 | 4h00 | |
| LDXC627 | 120 / 347Vac | 0.06 / 0.02 Amp | 27 | 15 | 11 | 9 | - |
| LDXC644 | | 0.18 / 0.06 Amp | 44 | 26 | 18 | 15 | 7 |
| LDXC672 | | 0.19 / 0.07 Amp | 72 | 42 | 30 | 24 | 12 |
| LDXC1244 | 120 / 347Vac | 0.31 / 0.10 Amp | 44 | 26 | 18 | 15 | 7 |
| LDXC1272 | | 0.31 / 0.10 Amp | 72 | 42 | 30 | 24 | 12 |

Ordering Information

| Series | Capacity | Special Options | # of Heads | Head Style/Wattage | | Colour | AC Voltage | Options |
|--|---|--|---|--|---|---|---|--|
| LDXC6= 6 volts LDXC12= 12 volts | -27= 27 watts* -44= 44 watts -72= 72 watts | Blank= no options AD= self-diagnostics* ADN= self-diagnostics non-audible* NEX= NEXUS® System interface** *6V-72W available in LDX series only. **Not all options available with NEXUS® System. Please consult your sales representative. | Blank= no heads 1= one head 2= two heads | RT9= mini tungsten, 6V, 12V - 9W, wedge base RT18= mini tungsten, 12V - 18W, wedge base RQ8= mini halogen, 6V, 12V - 8W, quartz bi-pin RQ12= mini halogen, 6V, 12V, 24V -12W, quartz bi-pin RM6= mini halogen, 6V - 6W, MR16 RM10= mini halogen, 6V - 10W, MR16 RM12= mini halogen, 12V, 24V - 12W, MR16 RM20= mini halogen, 12V - 20W, MR16 LT9= large tungsten , 6V, 12V - 9W, wedge base LT18= large tungsten, 12V - 18W, wedge base | LT25= large tungsten, 6V, 12V - 25 watt, DCB LQ8= large halogen, 6V, 12V - 8W, quartz bi-pin LQ12= large halogen, 6V, 12V - 12W, quartz bi-pin LQ20= large halogen, 6V, 12V - 20W, quartz bi-pin LS9= large tungsten, 6V - 9W, sealed beam LS25= large tungsten, 6V, 12V - 25W, sealed beam LH8= large halogen, 6V, 12V - 8W, quartz sealed beam LH12= large halogen, 6V, 12V - 12W, quartz sealed beam LH20= large halogen, 6V - 20W, quartz sealed beam LD7= 12V - 4 watts LED | Blank= factory white BK= black | Blank= 120Vac input with line cord installed U277= 277Vac input U347= 120/347Vac input | Blank= no options CT= cabtire TL= twist lock plug |

EXAMPLE: LDXC6441RT9