

C A P M I L S

ESCAPE™ Series

C50/CX6000SP

High Impact, Thermoplastic
Adjustable Heads Exit Sign



MR16 quartz halogen lamps with adjustable heads

The ESCAPE™ Series is our combo unit which utilizes MR16 quartz halogen lamps. Both heads can be field adjusted on the side or on top. No tools required.

Features

- Injection-molded thermoplastic housing
- Innovative, snap together design allows for fast installation
- Replaceable lead-calcium (2 x 6V 4.5AH) battery
- Comes complete with 2 faceplates, 1 back plate, and 1 canopy
- Replaceable knockout directional chevrons
- Two adjustable glare free light heads
- Uses halogen MR16 lamps with front glass cover
- Low energy consumption LED light source
- Field adjustable heads
- 36W remote capability (Standard with 2 x 5.4W MR16 heads)
- CSA C22.2 No. 141 certified
- CSA certified, meets or exceeds C860-01 and NRCAN/C860-01 requirements



READY-LITE™



Project/Location:

Date:

Contractor:

Prepared by:

ESCAPE™ Series C50/CX6000SP



Typical Specification

The Contractor will install the READY-LITE™ ESCAPE™ Combo. The ESCAPE™ Combo shall be suitable for wall end or ceiling mount. The face shall be constructed of a durable high impact thermoplastic. No screws are necessary to hold the face plate or canopy to the housing. The face plates shall come standard with snap out chevron's. The frame shall be constructed of a one-piece thermoplastic mold and comes completely standard white. This combo shall

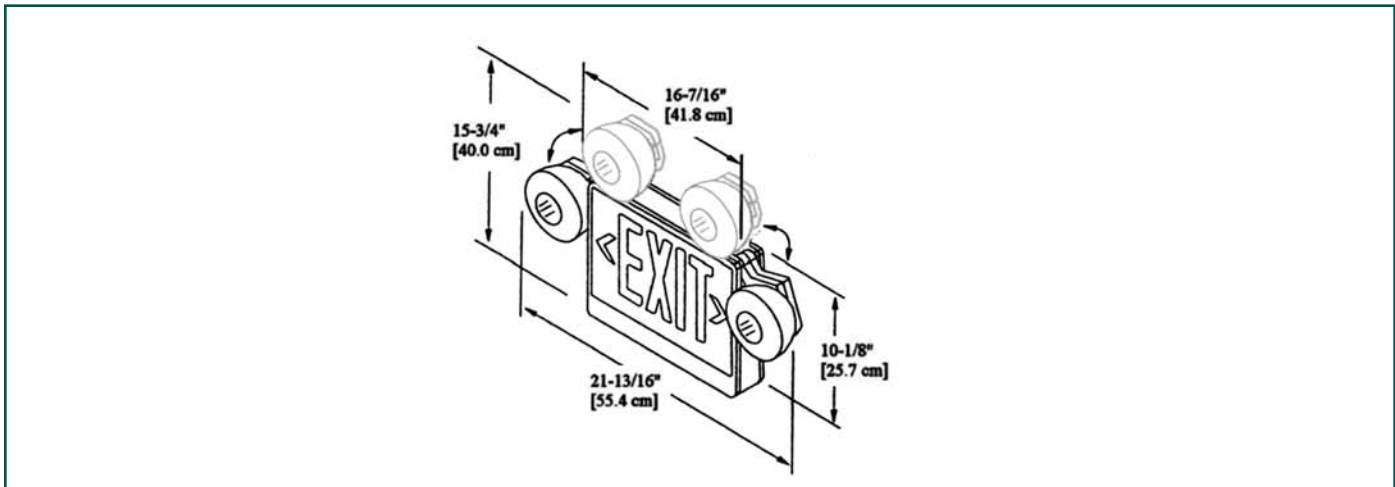
be universal 120/347 AC input and comply to C860-01. The combo unit will come complete with 2 adjustable Eyeball, glare free MR16 lamps and front glass cover and remain illuminated in emergency mode for a period of 30 minutes. The combo unit shall be CSA-C860 and NRCAN/C860-01 approved.

The combo unit shall be READY-LITE™ Model - _____.

Power Consumption

Model	AC Input Specs		DC Output Specs	
Combo Unit	120/347Vac	Less than 12W	6V 50W	Min. 30 minutes

Dimensions



Ordering Information

Unit Capacity	Series	A.C. Voltage	# of Lamps/Type	Options
C50= 6V - 50 watts	/CX6000SP= L.E.D. plastic universal exit sign	Blank= 120/347Vac	Blank= two 5.4 watts MR16 lamps (standard)	Blank= no options /10= two 10 watts MR16 lamps

EXAMPLE: C50/CX6000SP/10