



SM-NEXTU Series

All Metal Combo Unit

Labour-saving, economically-priced combination unit

The SM-NEXTU Series exit sign and power pack combination units offer a complete package of features to make installation fast and easy. Economically priced, the SM-NEXTU Series offers a construction quality usually found in higher-priced signs.

This series is ideally suited for applications where many exit signs will be installed and where lowest installed cost is a priority.

Features

- Comes pre-assembled for quick, easy installation
- All-metal construction with baked enamel finish
- Standard colour is factory white
Other colours also available
- Metal stencil plate with red letter panel
- Universal mounting – end, wall or ceiling
- Easy access to wiring entry for all mounting options
- Canopy mounting system designed specifically for ease of installation
- Universal, field-selectable chevrons (knockout)
- Long-life, energy-efficient, LED light source
- Energy efficient – consumes less than 5 watts in AC or DC mode
- Completely self-contained power pack with sealed lead battery provides a minimum of 30 minutes of emergency lighting
- Lamp heads require no tools to adjust or aim
- Power pack comes standard with test switch and high charge pilot light and is available in either 18, 36 or 72 watts
- Normal AC and emergency DC operation – 120 volts AC input; 6 or 12 volts DC output
- CSA certified, meets or exceeds C860-01 and NRCAN/C860-01 requirements



READY-LITE™



Project/Location: _____

Date: _____

Contractor: _____

Prepared by: _____

SM-NEXTU Series



Typical Specification

Supply and install the READY-LITE™ SM-NEXTU LED exit sign and power pack series. The exit housing and faceplates shall be constructed of factory white steel. The exit sign shall have a maximum depth of 2-1/2". The faceplate(s) shall come standard with knockout chevrons. The light source shall be light emitting diodes (LED). The LED lamps shall provide illumination in normal and emergency operation. An LED-sensitive diffuser shall be mounted behind the legend to provide the 6" high by 3/4" stroke letters with even illumination.

exit sign are illuminated in emergency mode for a minimum of 30 minutes. The power pack is furnished with a test switch and high charge pilot light and is available as 6V-18, 36 or 72 watts and 12V-36W or 12V-72W.

The heads shall require no tools to adjust and aim. The heads will be constructed of a durable polycarbonate construction and use 6 volts 9 watts lamps or as otherwise specified.

The power pack shall be a completely self-contained emergency unit with its own charger and rechargeable battery. The housing shall be made of steel, painted factory white. The unit shall be designed to furnish exit illumination from the normal AC source. When a power failure occurs the mounted heads along with the

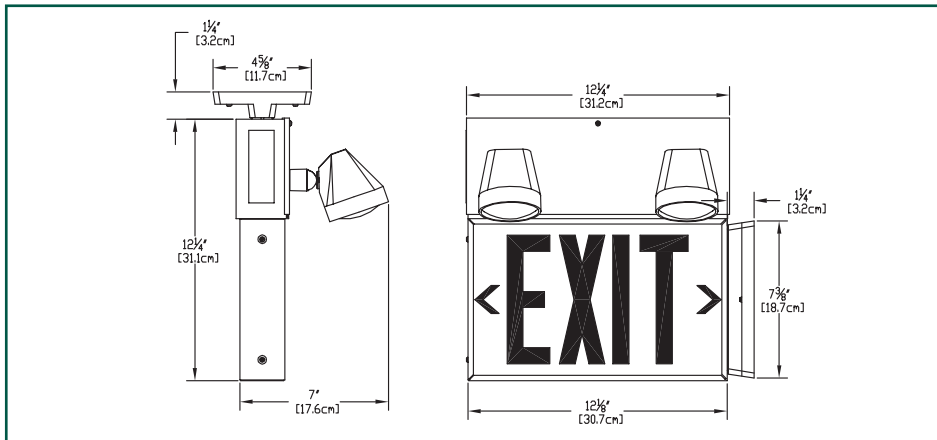
The exit sign shall be C860 and NRCAN/C860-01 approved.

The equipment shall be READY-LITE™ Model - _____.

Power Consumption

Model	AC Specs		DC Specs	
Power Pack	120 or 347Vac	Less than 5W	Sealed lead battery = 6V 18W = 6V 36W = 6V 72W = 12V 36W = 12V 72W	Min. 30 minutes
Exit Sign red	120 / 347Vac	Less than 1.5W	Battery (above)	Min. 30 minutes

Dimensions



Wire Guards

460.0078	Wall Mount
460.0060	Ceiling Mount

Ordering Information

Powerpack	# of Heads	Head Style and Wattage	Sign Series	Voltage	Colour	Options
SM18= 18W	Blank= no head	RT9= mini-tungsten, 9W	-NEXTU	L061= 120Vac, 6Vdc	Blank= factory white	D= time delay
SM36= 36W	1= one head	RQ8= mini-halogen, 8W		L062= 277Vac, 6Vdc	BK= black	AD= auto-diagnostic
SM72= 72W	2= two heads	RQ12= mini-halogen, 12W		L063= 347Vac, 6Vdc	GY= silver grey	
		RM6= mini-MR16, 6W (6V only)		L121= 120Vac, 12Vdc		R1= radio-controlled remote test receiver
		RM10= mini-MR16, 10W (6V only)		L122= 277Vac, 12Vdc		
		RM12= mini-MR16, 12W (12V only)		L123= 347Vac, 12Vdc		
		RM20= mini-MR16, 20W (12V only)				
		Other styles available. Please contact factory.				

EXAMPLE: SM362RT9-NEXTUL061