



LDX6 Series

Compact 6 Volts
Steel Battery Unit

Compact, fully-automatic labour-saving emergency lighting unit

The LDX6 Series battery unit incorporates a complete range of high performance and labour-saving features normally found only in higher voltage units. The LDX6 Series battery unit is ideally suited for any commercial application where space and ease of installation is a consideration.

Features

- Compact steel cabinet with corrosion-resistant undercoating – standard colour is factory white, black available as an option
- Quick and easy installation – pre-assembled cordset, easy access to remote lamp terminals and mounting slots, no batteries or board to remove before installation
- Fully automatic solid-state charger with test switch and AC-on pilot light
- Sealed dust-proof transfer relay circuit and low-voltage disconnect
- Long-life, maintenance-free sealed lead battery provides 30 minutes of illumination in emergency mode with complete recharge within 24 hours
- Choice of lamps include mini tungsten, large tungsten, mini halogen and large halogen lamp heads
- 120Vac standard input
- CSA C22.2 No. 141 certified





Project/Location:

Date:

Contractor:

Prepared by:

LDX6 Series

Typical Specification

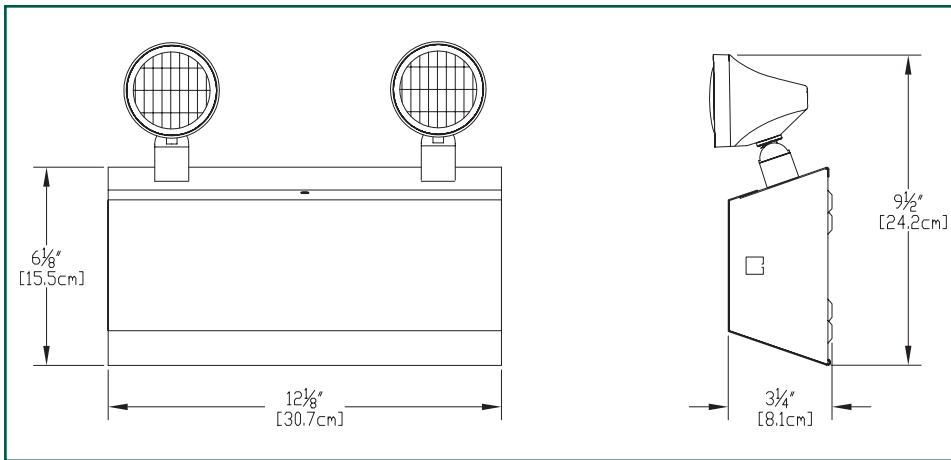


The contractor will install the READY-LITE™ LDX6 Series battery unit. The emergency lighting system shall consist of fully automatic equipment with 2 emergency lighting heads. The emergency lighting heads shall require no tools for adjusting or aiming. Each unit shall contain a fully automatic, solid-state control charger with test switch and AC-on pilot light. The unit shall contain a sealed

transfer circuit and low-voltage disconnect circuit. The battery shall be 6 volts with a capacity of 36 watts for 30 minutes. The unit shall be CSA C22.2 no 141.

The unit shall be READY-LITE™ Model - _____

Dimensions



Wire Guards

460.0080 Wall Mount

Ordering Information

Series	Capacity	# of Heads	Head Style/Wattage	Colour	A.C. Voltage	Options
LDX6	36= 36 watts	Blank= no head	RT9= mini tungsten, 6V - 9 watts, wedge base	Blank= factory white BK= black GY= grey	Blank= 120/347Vac U220= 220Vac, 50hz input U240= 240Vac input U277= 277Vac input	LD= lamp disconnect TL= twist lock plug
		1= one head	RQ8= mini halogen, 6V - 8 watts, quartz bi-pin			
		2= two heads	RQ12= mini halogen, 6V - 12 watts, quartz bi-pin			
			LT9= large tungsten, 6V - 9 watts, wedge base			
			LQ8= large halogen, 6V - 8 watts, quartz bi-pin			
			LQ12= large halogen, 6V - 12 watts, quartz bi-pin			
			RM6= mini halogen, 6V - 6 watts, MR16			
			RM10= mini halogen, 6V - 10 watts, MR16			
			LS9= large tungsten, 6V - 9 watts, sealed beam			
			LS18= large tungsten, 6V - 18 watts, sealed beam			
			LH8= large halogen, 6V - 8 watts, quartz sealed beam			
			LH12= large halogen, 6V - 12 watts, quartz sealed beam			

EXAMPLE: LDX6-362RT9